

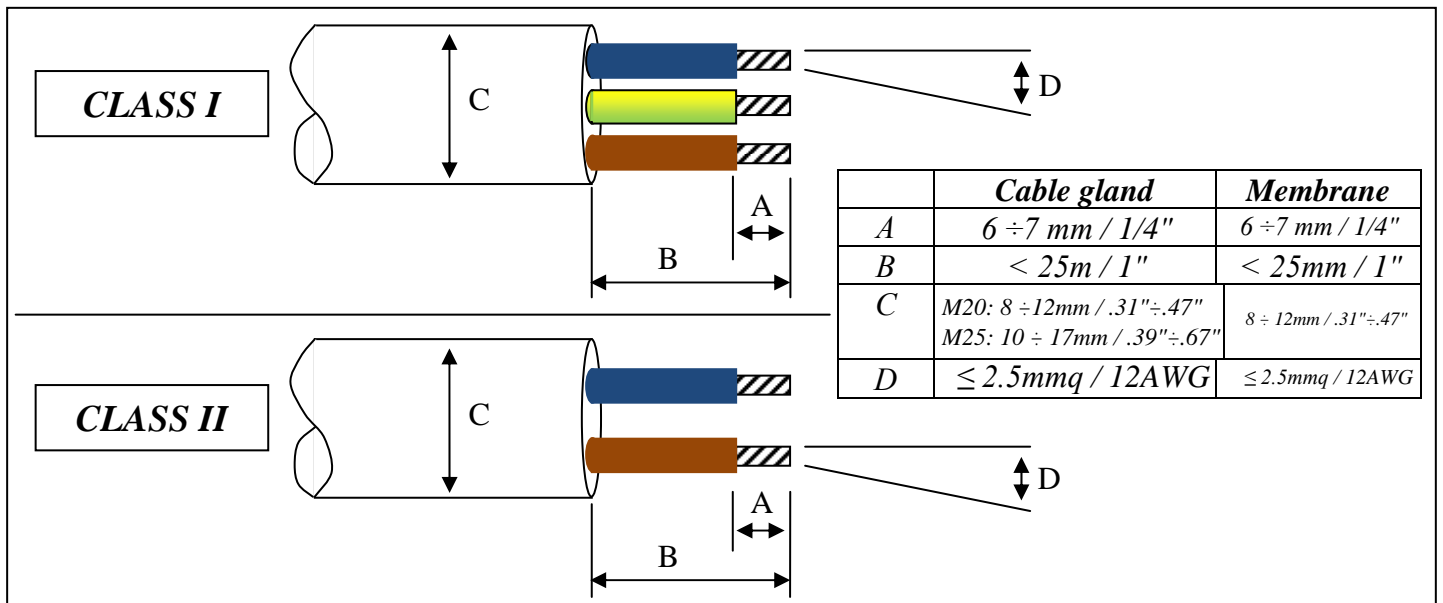
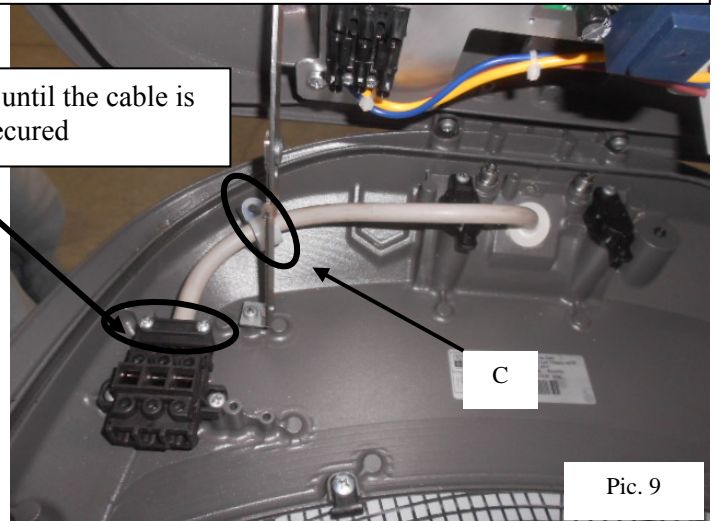
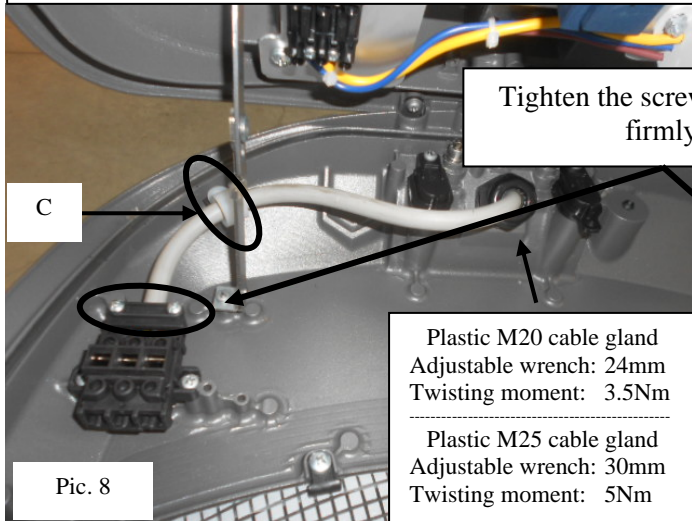
Electrical line connection

- **Luminaire with cable gland:** follow the instructions as per Pic. 8. You **must** secure the external cable by tightening plastic holder on the "on-load switch".
- **Luminaire with membrane:** follow the instructions as per Pic. 9. You **must** secure the external cable by tightening plastic holder on the "on-load switch".

In case the luminaire is equipped with PLM device, before closing the luminaire, annotate the serial number of the device.

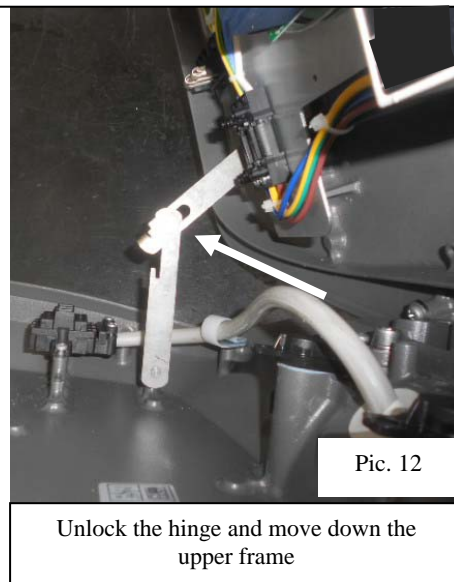
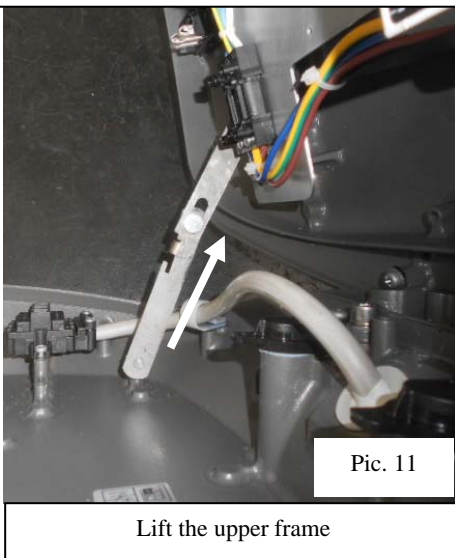
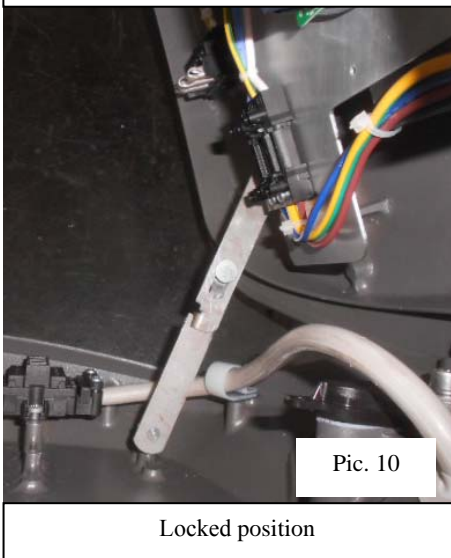
CABLE GLAND

MEMBRANE



Luminaire closure

To close the luminaire, follow the instructions from Pic. 10 to Pic. 12.

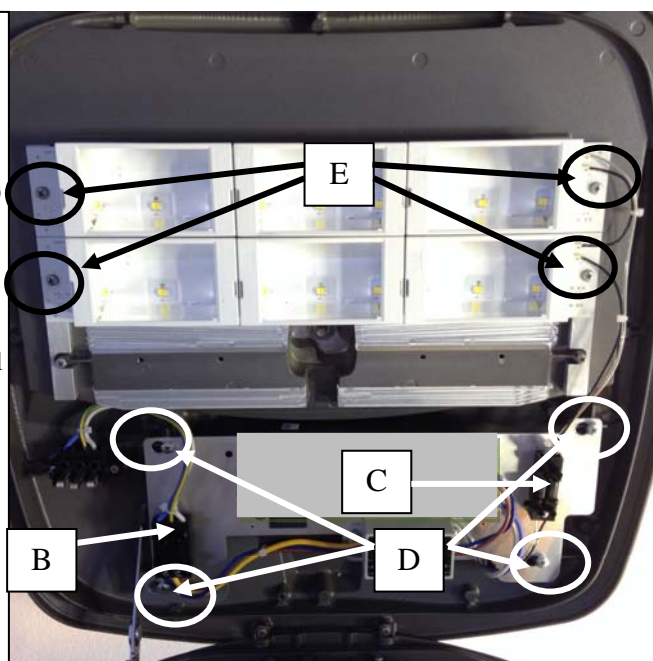


LED module removal

- 1) Disconnect the LED connector (C);
- 2) Loosen the screws (E);
- 3) Remove the LED module.

LED module repositioning

- 1) Put it back to the original position the LED module;
- 2) Tighten the screws (E);
- 3) Connect the LED connector (C).



Gear tray removal

- 1) Disconnect the main feed connector (B);
- 2) Disconnect the LED connector (C);
- 3) Loosen the screws (D);
- 4) Remove the gear tray.

Gear tray repositioning

- 1) Replace in the original position the gear tray;
- 2) Tighten the screws (D);
- 3) Connect the LED connector (C);
- 4) Connect the main feed connector (B).

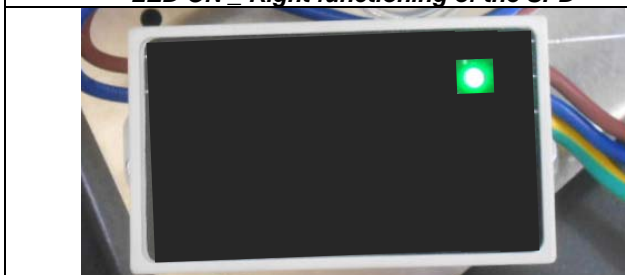
SPD MAINTENANCE

The protection device is equipped with system that excludes power supply at the end of life of the luminaire.

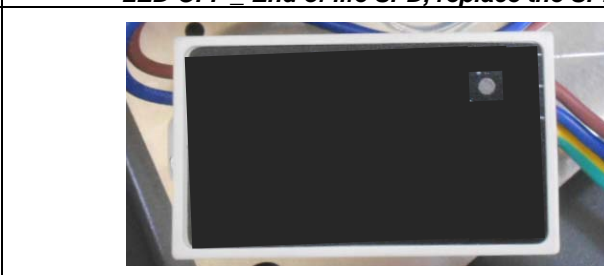
If the luminaires switches-off when the system is still fed, the activity of the protection device should be checked looking at signaling LED.

To check this, use the appropriate tool and ask the manufacturer for instructions

LED ON - Right functioning of the SPD



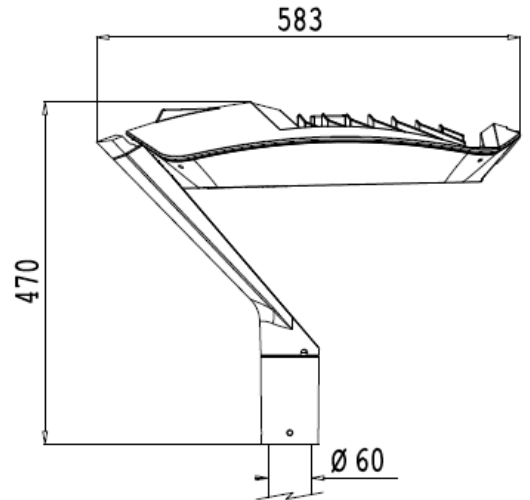
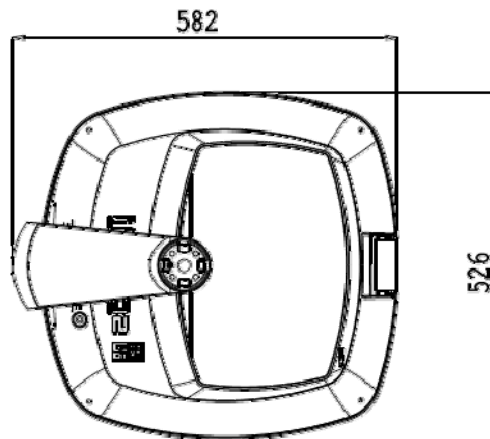
LED OFF - End of life SPD, replace the SPD





ITALO 2 URBAN luminaire is classified under “**EXEMPT GROUP**” according to photobiological safety standard **IEC/EN 62471**.

NO RISK for the operators and end users.

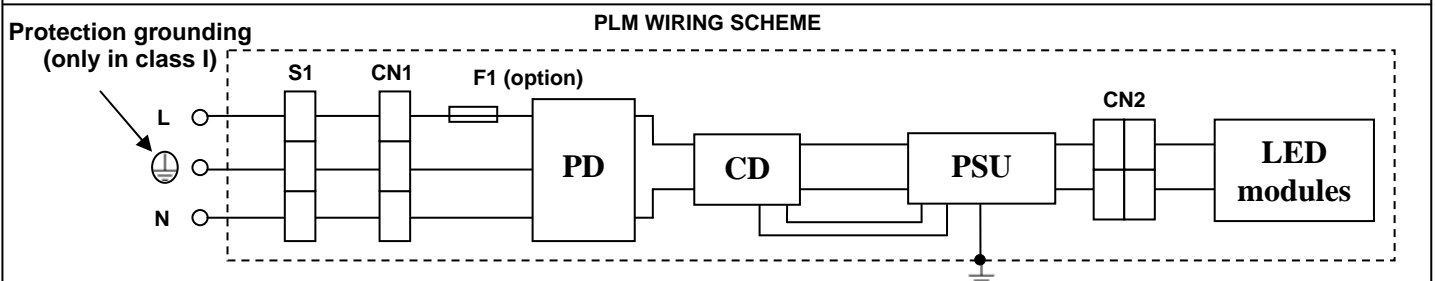
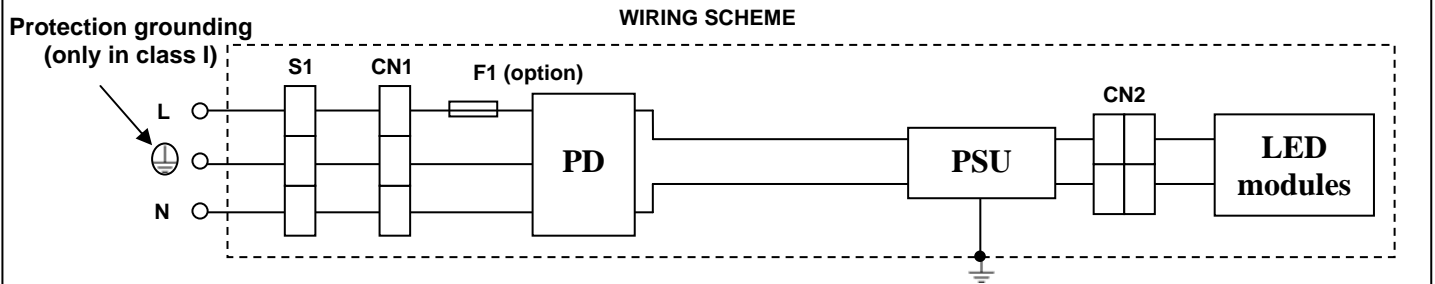


Side area:	0.06m ²
Base area:	0.25m ²
Form factor:	1.2
Max height of installation:	15m
Ta	35°C
Use	Indoor / Outdoor

ITALO 2 URBAN 1-2M	10.1 ÷ 10.7kg
ITALO 2 URBAN 3-4M	10.5 ÷ 11.1kg
ITALO 2 URBAN 5M-8M	11.0 ÷ 11.5kg



The crossed-out wastebasket symbol on the appliance means that at the end of its useful lifespan, the product must be disposed of separately from ordinary household wastes. The user is responsible for delivering the appliance to an appropriate collection facility at the end of its useful lifespan. Appropriate separate collection to permit recycling, treatment and environmentally compatible disposal helps prevent negative impact on the environment and human health and promotes recycling of the materials making up the product. For more information on available collection facilities, contact your local waste collection service.



F	Fuse 110Vac 10A (provide the fuse externally if not supplied with the luminaire)	PD	Protection device
CN	Connector	PSU	Power Supply
S	On-load switch	CD	Control device

- NOTE**
-
- The luminaire can be installed close to flammable surfaces.
 - Class II luminaires must be installed in such a way that it is impossible for any exposed metal part to come in contact with electrical components.
 - The device has developed in compliance with the current standards; it is necessary that the installation is done properly, according with the instructions supplied.
 - The present instruction paper has to be kept for any future maintenance operation on the luminaire. Non compliance with the above will automatically release AEC Illuminazione from any responsibility and the warranty will be voided